

HOW TO INSTALL

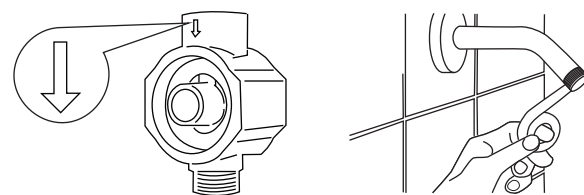
[ORIGINAL ADVANCED MODEL]



better water, premium filter

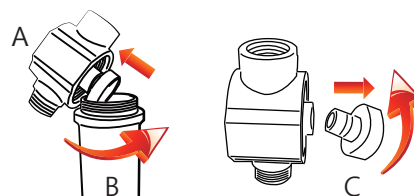
⚠ PRECAUTION IN INSTALLATION

- You are kindly required to read carefully this installation manual before installation.
- Please check inlet sign(↓) of the head part before assemble with transparent housing with shower mixture / water tap or pipe.
- Please do not tighten the head part by force too much and place proper position or when you assemble with shower hose, water pipe. Because, inlet/outlet of head part equipped with silicon-packing inside. It may cause product damage.
- Please use thread seal tap to prevent water leakage, if the connection part of shower mixture or water tap/pipe has bad condition/old or water leakage occurred even you installed right.

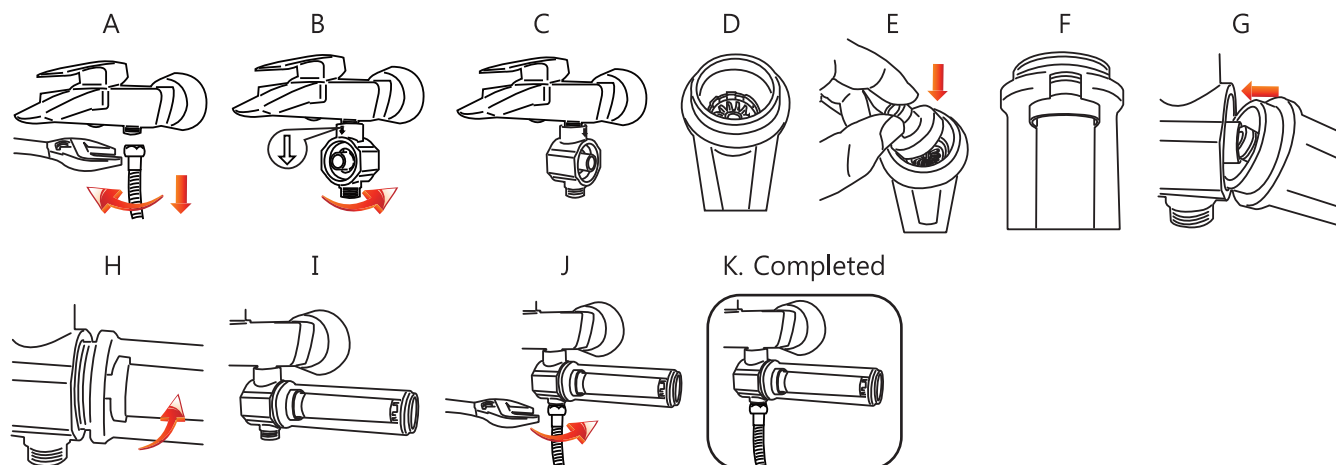


■ Preparation Before Installation

After open the package, please disassemble the head part(A) from transparent housing(B) and the cap(C) from head part to prepare for following installation.

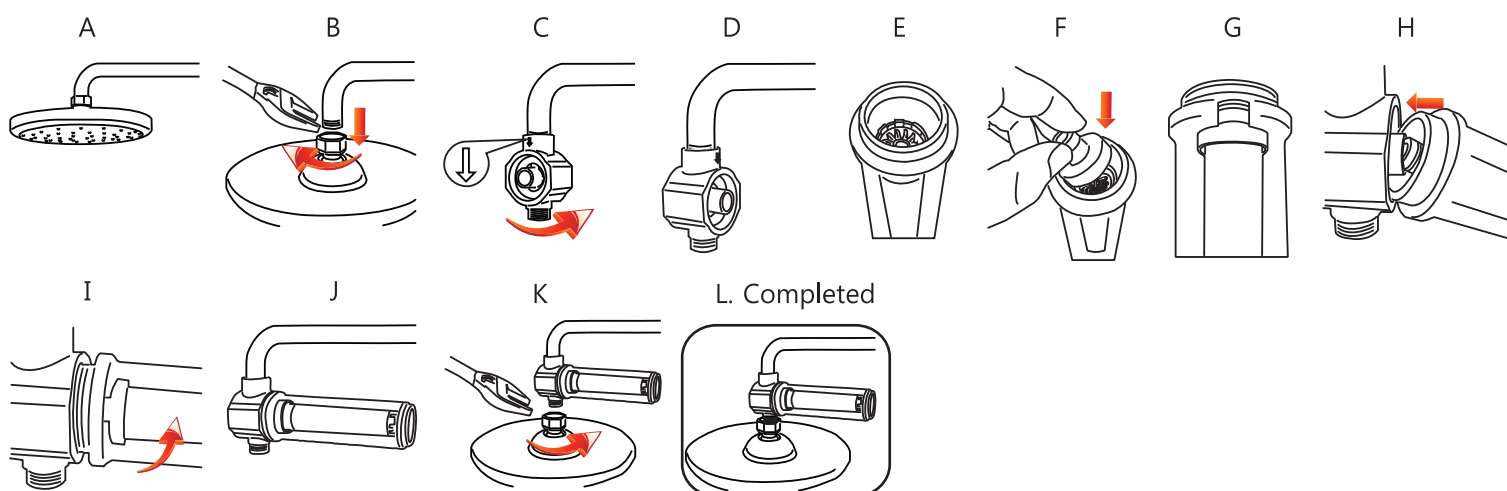


Install on Shower Mixture (Shower tap)

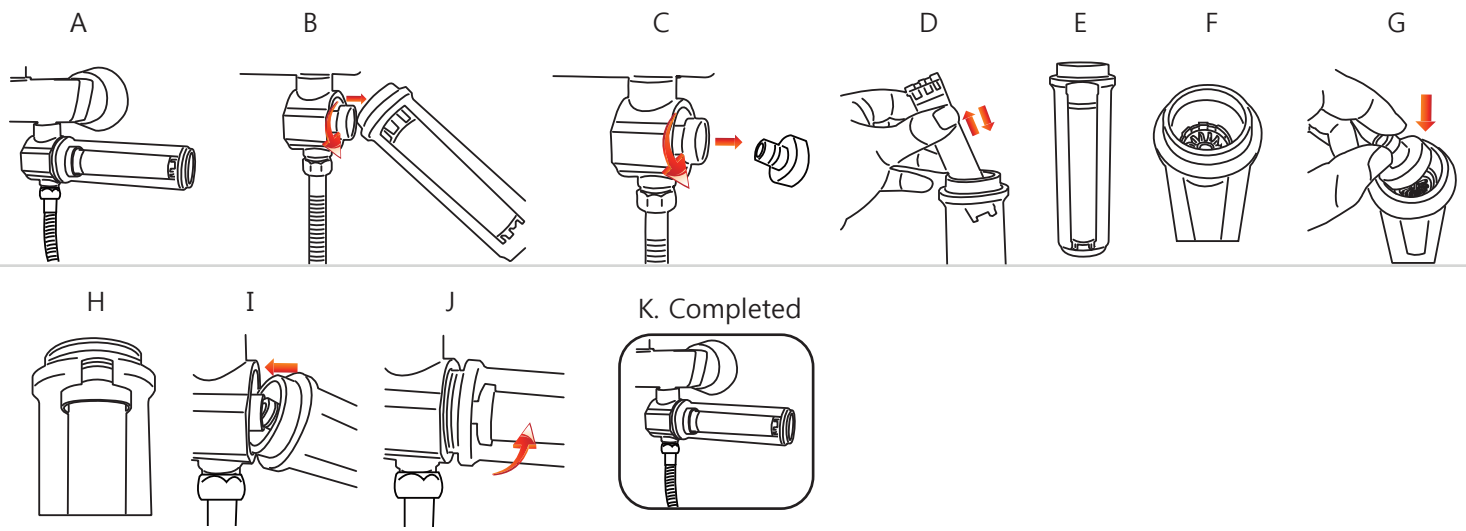


- A: Please separate shower hose from shower mixture (Shower tap).
B~C: Please connect the head part which is marked inlet sign (↓) with shower mixture.
D~F: Please insert the cap into the housing and fit it well on the Vitamin C Filter Cartridge like 'F'.
G~I: Please assemble the housing with head part and fit it well into the center of head part.
J~K: Please assemble the shower hose with the head part. Now, you are ready to use the product.

Install on Wall-mounted Showerhead



- A~B: Please disassemble the showerhead from the pipe.
C~D: Please assemble the head part which is marked inlet sign(↓) with the pipe.
E~G: Please insert the cap into the housing and fit it well on the Vitamin C Filter Cartridge like 'G'.
H~J: Please assemble the housing with the head part and fit it well into the center of head part.
K~L: Please assemble the showerhead with the head part. Now, you are ready to use the product.



A~B: Please disassemble the housing from the head part.

C: Please separate the cap from the head part.

D: Please remove existing filter and insert new filter into the housing.

E~H: Please insert the cap into the housing and fit it well on the Vitamin C Filter Cartridge like 'H'.

I~K: Please assemble the housing with the head part and fit it well into the center of head part.

Now, you are ready to use the product.



www.facebook.com/ubsincoltd



www.instagram.com/moolmangvitafresh



<https://twitter.com/UBSINCCOLT>



<https://youtu.be/uN2PpFRpQ2w>

